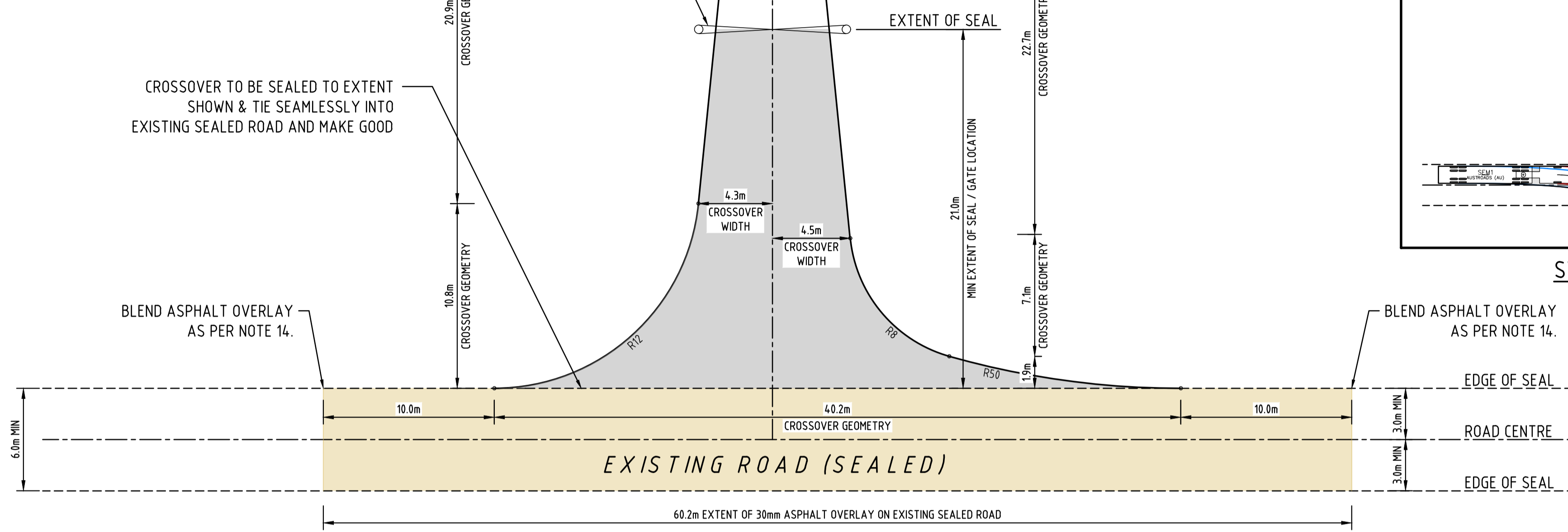
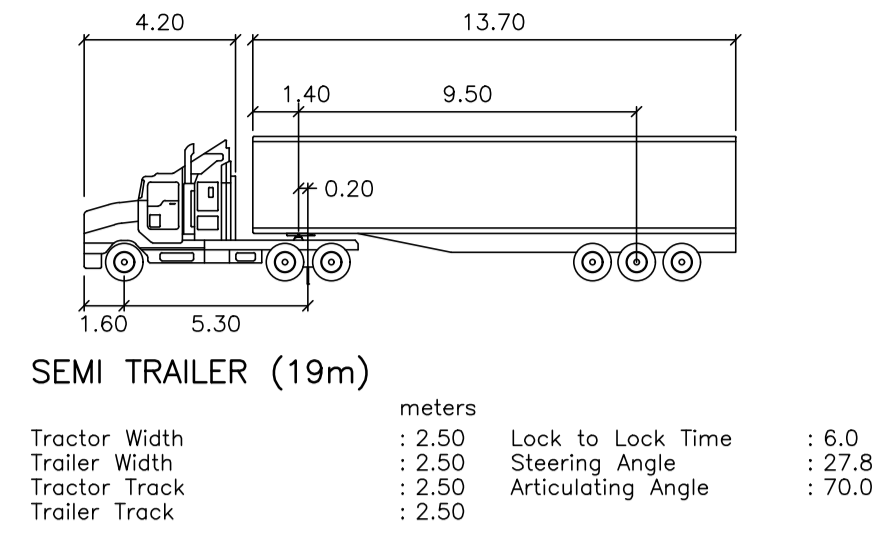


NOTES:

1. MAINTENANCE OF THE CROSSOVER IS THE LANDHOLDERS RESPONSIBILITY.
2. VEHICLE VOLUMES ARE ONE IN MOVEMENT
3. B-DOUBLE OPTION APPLIES TO RAV 2.3 & 4 COMBINATIONS (i.e. B-DOUBLES & POCKET TRANS) ANY LARGER COMBINATIONS (i.e. GREATER THAN RAV 4 NETWORK) WILL BE AS APPROVED BY THE SHIRE.
4. GATE SHALL BE LOCATED NOT LESS THAN THE LENGTH OF THE LONGEST VEHICLE USING THE CROSSOVER PLUS 2m FROM THE EDGE OF THE ROAD (I.E. UNSEALED SHOULDER) (I.E. AS-OF-RIGHT VEHICLE WILL REQUIRE A LENGTH OF NOT LESS THAN 21m FROM THE EDGE OF THE ROAD).
5. ASPHALT SHALL BE PLACED ON TOP OF A SEALED (BITUMEN) SURFACE USING AN AGGREGATE NOT LESS THAN 5mm (NOT A PRIMED/TACK ONLY SURFACE)
6. SEAL ON CROSSOVER SHALL EXTEND TO ACCESS GATE.
7. SEALED CROSSOVERS SHALL OVERLAP EXISTING SEALED ROAD BY NOT LESS THAN 100mm.
8. ASPHALT OVERLAY ON CROSSOVER SHALL EXTEND TO THE TANGENT POINT
9. ASPHALT OVERLAY AND RESEAL ON ADJOINING SEALED ROAD SHALL EXTEND NOT LESS THAN 10m PAST THE TANGENT POINT ON THE SEALED ROAD.
10. ALL NEW SEAL SHALL BE A TWO COAT SEAL WITH AGGREGATE SIZES OF 10mm AND 5mm TO MRWA SPECIFICATIONS.
11. ALL MATERIALS, SEALING WORKS AND EARTHWORKS TO MEET ALL RELEVANT STANDARDS (MRWA SPECIFICATIONS AND TEST METHODS AND ANY OTHER RELEVANT STANDARDS).
12. LOCATION AND PROTECTION OF ROADSIDE SERVICES AND ASSETS (POWER, WATER, TELSTRA, NBN, ETC) ARE ENTIRELY THE RESPONSIBILITY OF THE APPLICANT (DBYD WWW.1100.COM.AU)
13. CULVERTS SHALL BE INSTALLED AS REQUIRED AND AS STIPULATED BY THE SHIRE. ALL CULVERTS SHALL USE PRECAST HEADWALLS. ALL CULVERTS SHALL UTILISE REINFORCED CONCRETE PIPES (RCP) OR REINFORCED BOX CULVERTS (RBC) AS STIPULATED BY THE SHIRE AND ALL RCP AND RCB SHALL BE NOT LESS THAN CLASS 2. REFER TO MRWA DRAWING 9831-6281
14. ALL TERMINAL JOINTS SHALL BE GRADED TO EXISTING AT 1:100 (i.e. 30mm COMPACTED ASPHALT REQUIRES A 3m TAPER). ALL TAPERS TO BE PROFILED. AS PER MRWA SPECIFICATION 504.

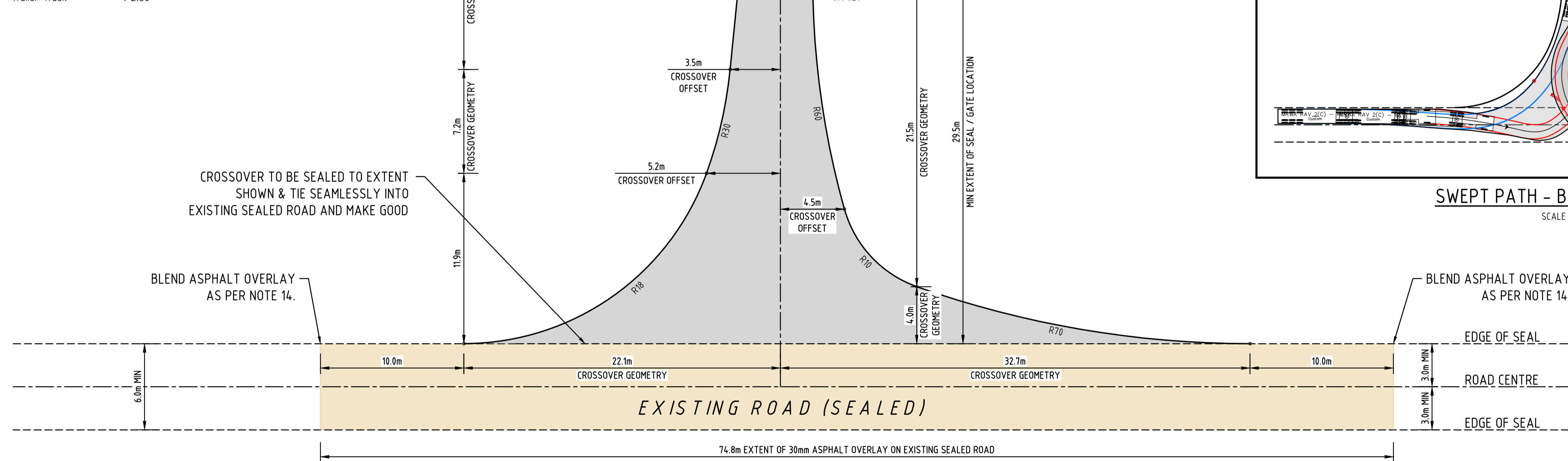
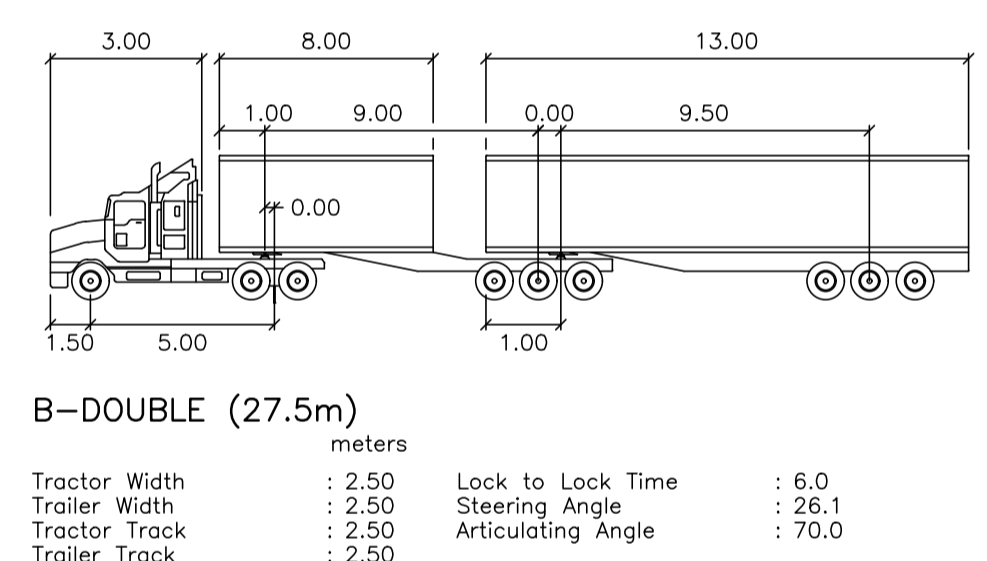
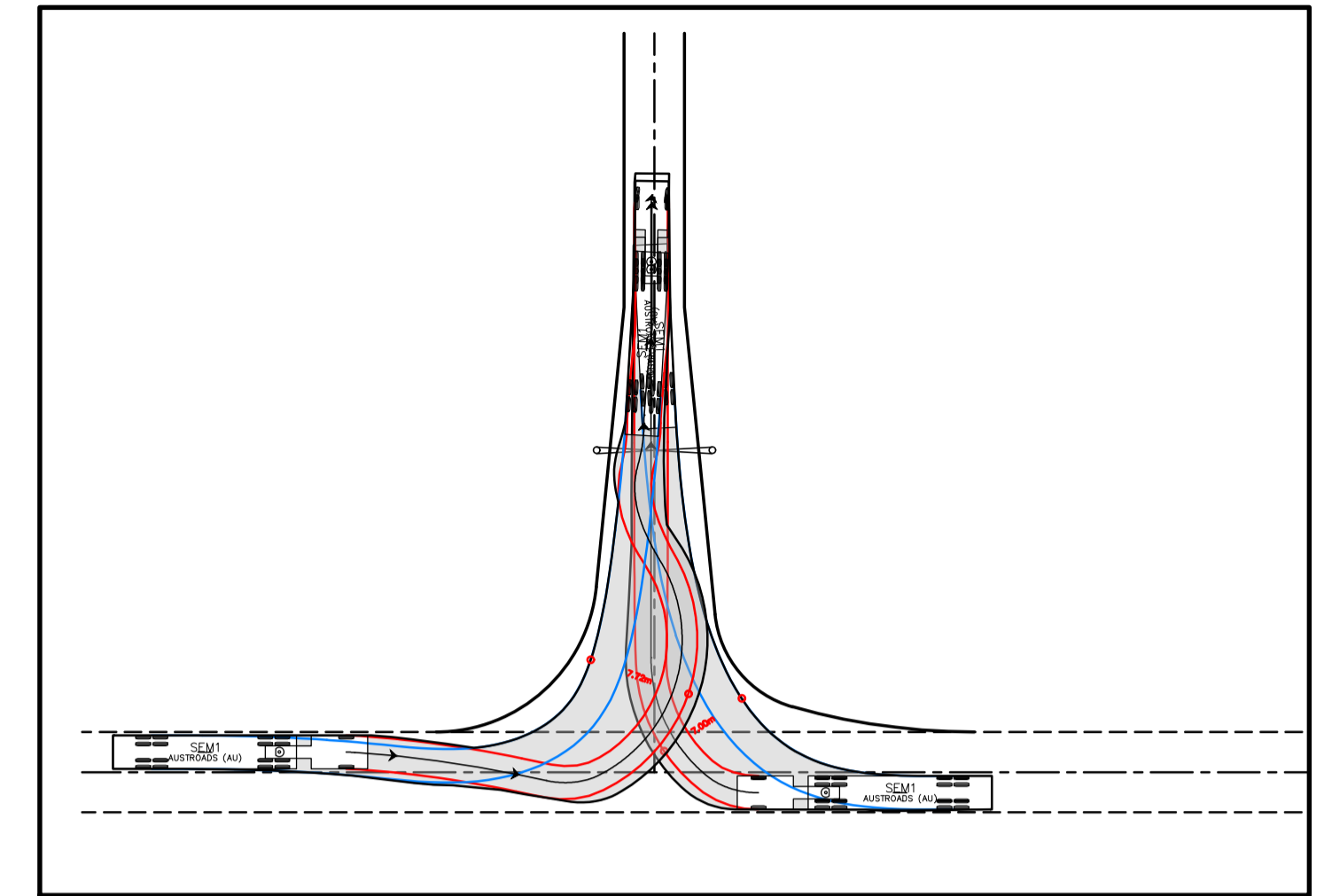
LEGEND

- AREA OF SEALED CROSSOVER
- AREA OF RE-SEAL ON EXISTING ROAD



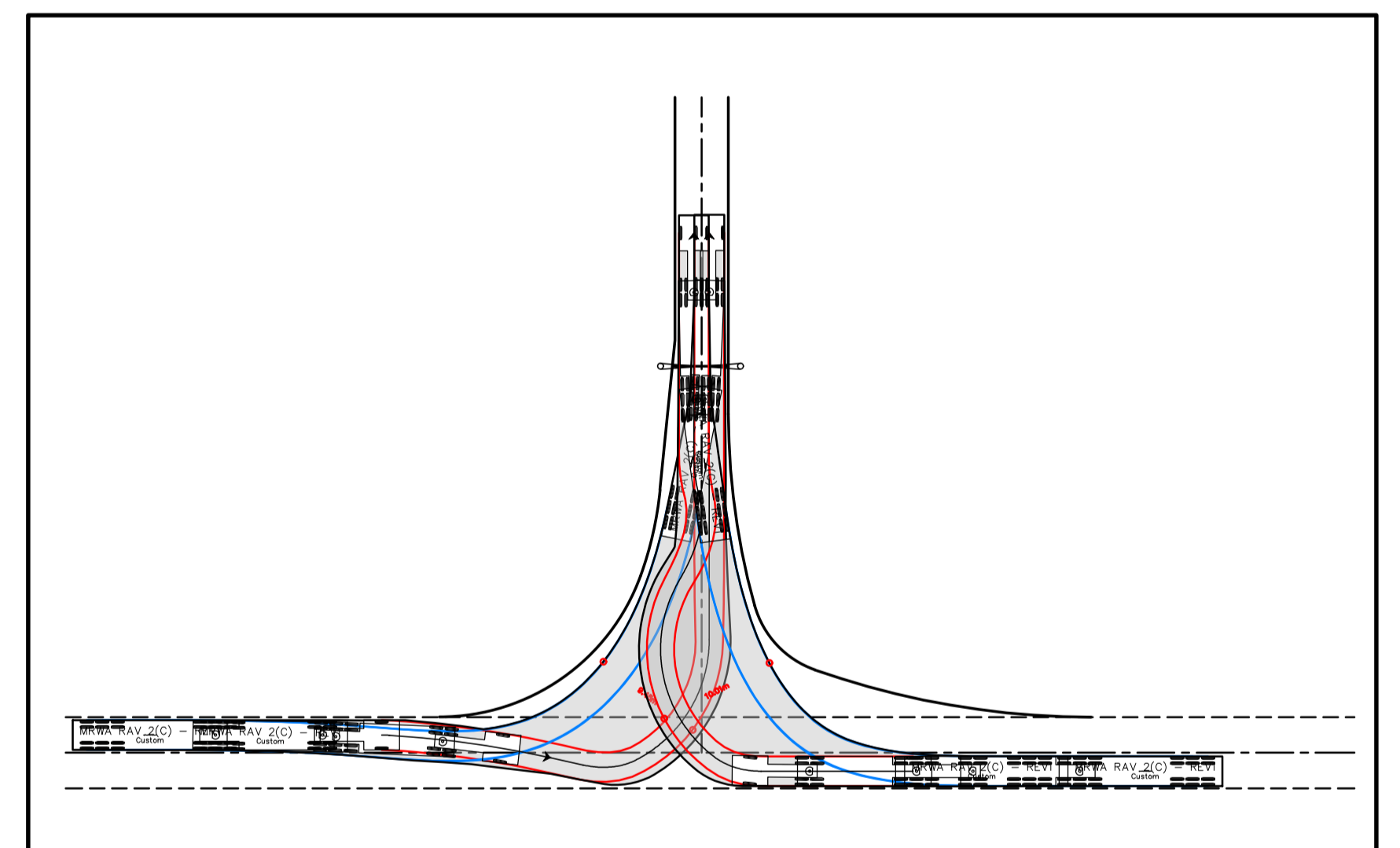
TYPE 'A' - AS OF RIGHT VEHICLE (SEMI-TRAILER 19m)

SCALE 1:200



TYPE 'B' - RAV 2, 3 & 4 NETWORK VEHICLE (B-DOUBLE 27.5m)

SCALE 1:200



PROJECT: SHIRE OF GINGIN CROSSOVER SPECIFICATIONS		COPYRIGHT: PORTER CONSULTING ENGINEERS		DRAWING: RURAL & INDUSTRIAL CROSSOVER FRONTING SEALED ROAD HEAVY VEHICLES PER WEEK: >10 TO ≤20		SCALE: 1:200		DRAWING No: SoG/STD-03		REV No: B A1	
DATE: 19-01-21		DESIGN: ELW		DATE: JAN 2021		DESIGN: ELW		FILE NAME: S:\ACTIVE PROJECTS\20-12-199\ACAD\202199_sog-std-03		DRAWN: MJV	
REVISION:		DRAWN: MJV		STATUS: FOR INFORMATION		CHECK: APPD		APPD		ORIGINAL DRAWING SIZE	