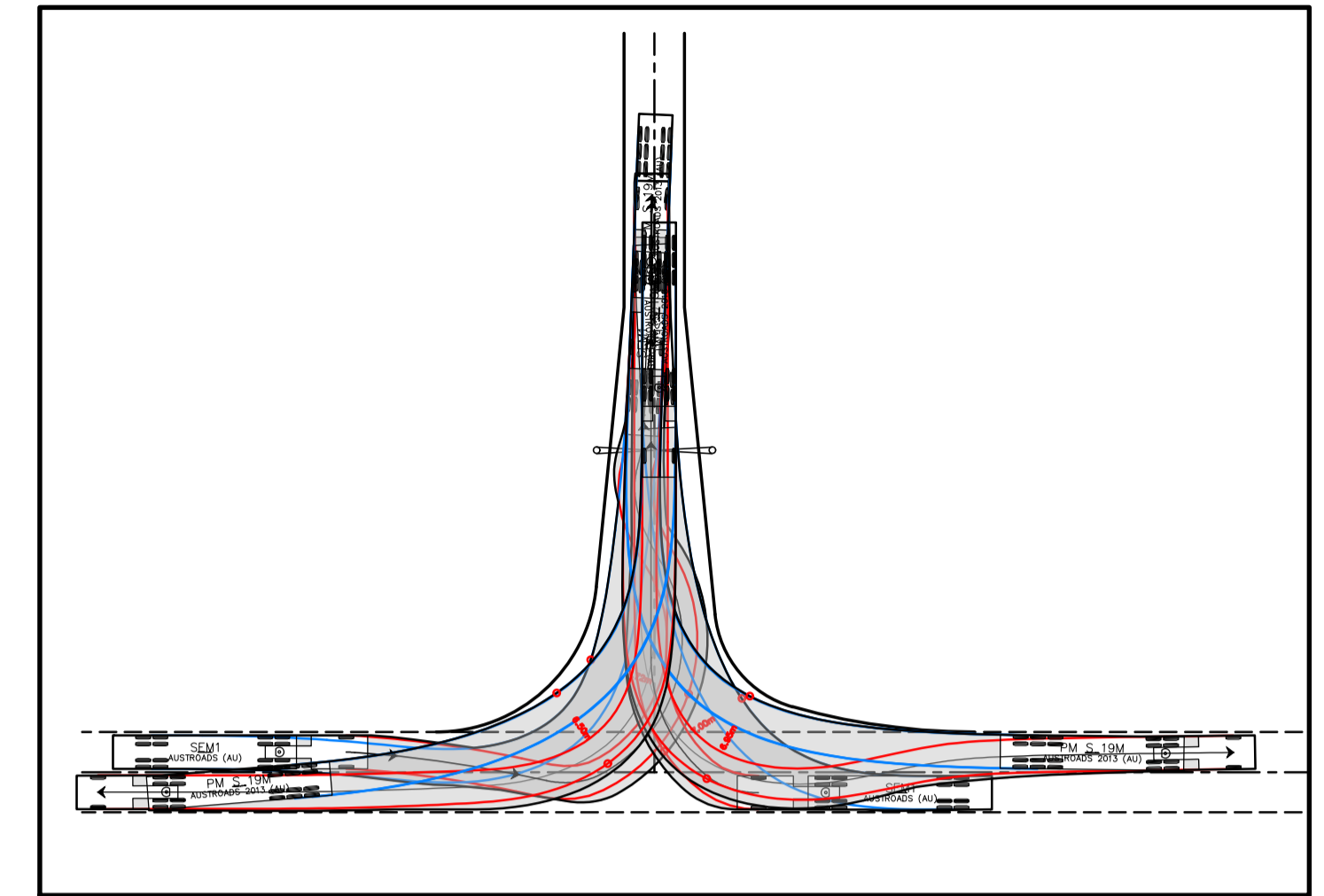
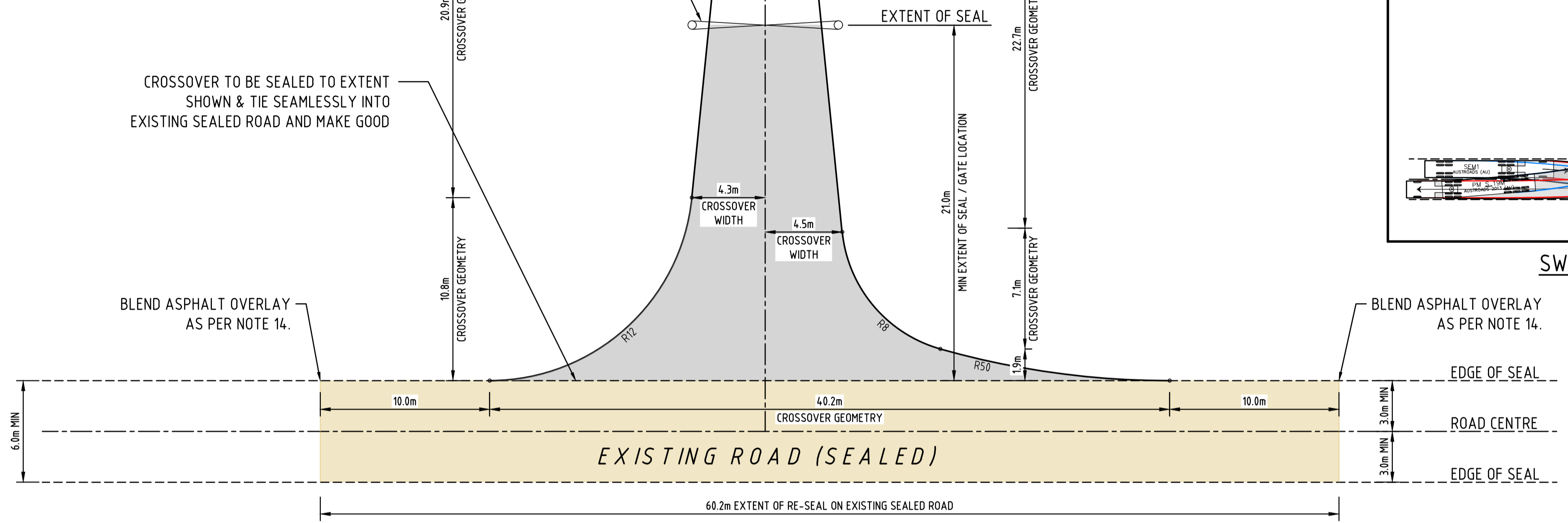
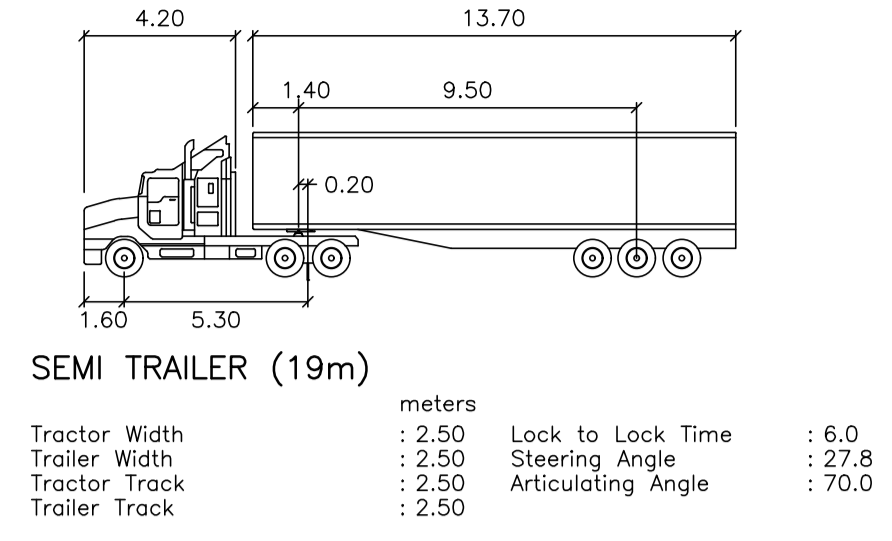


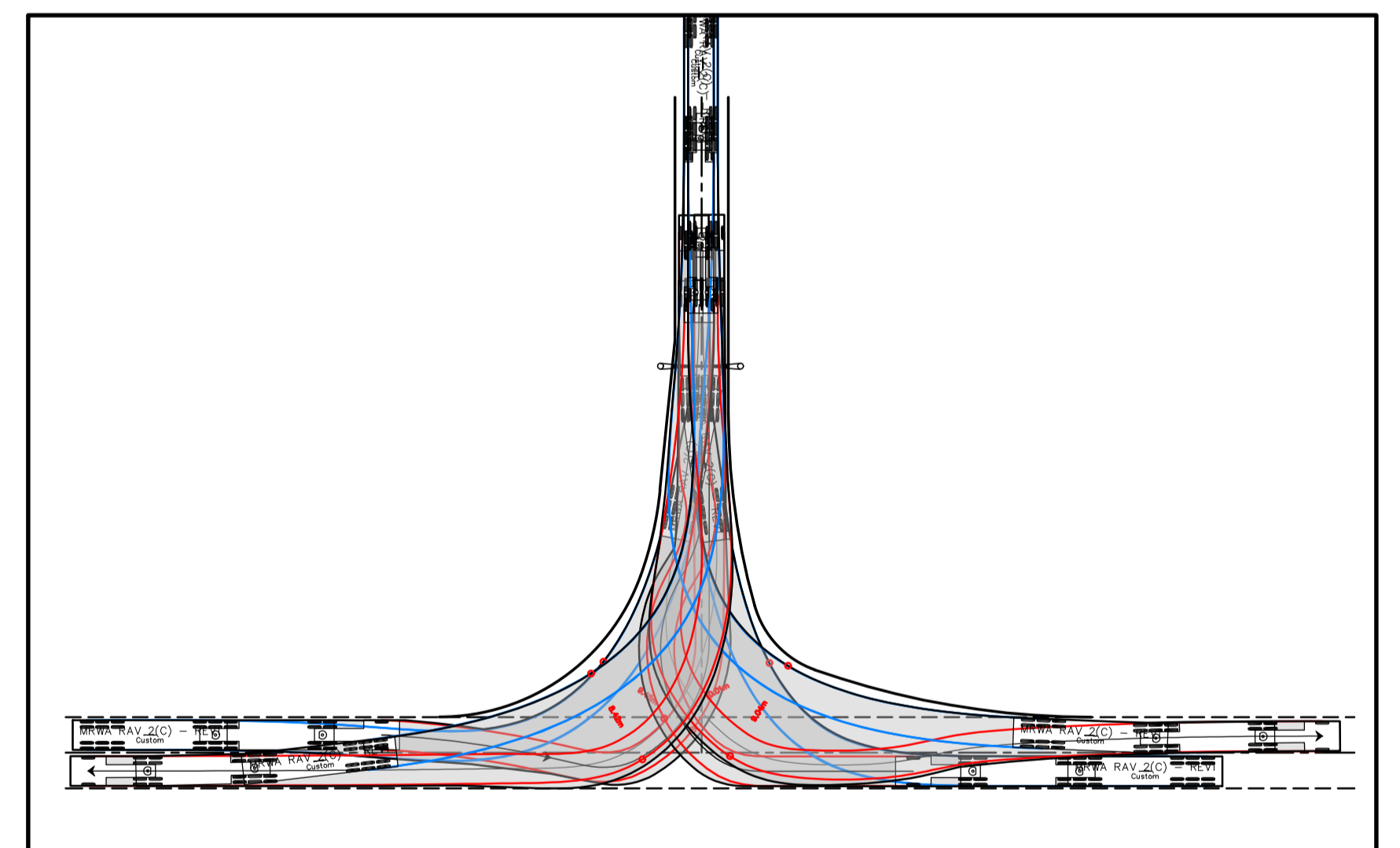
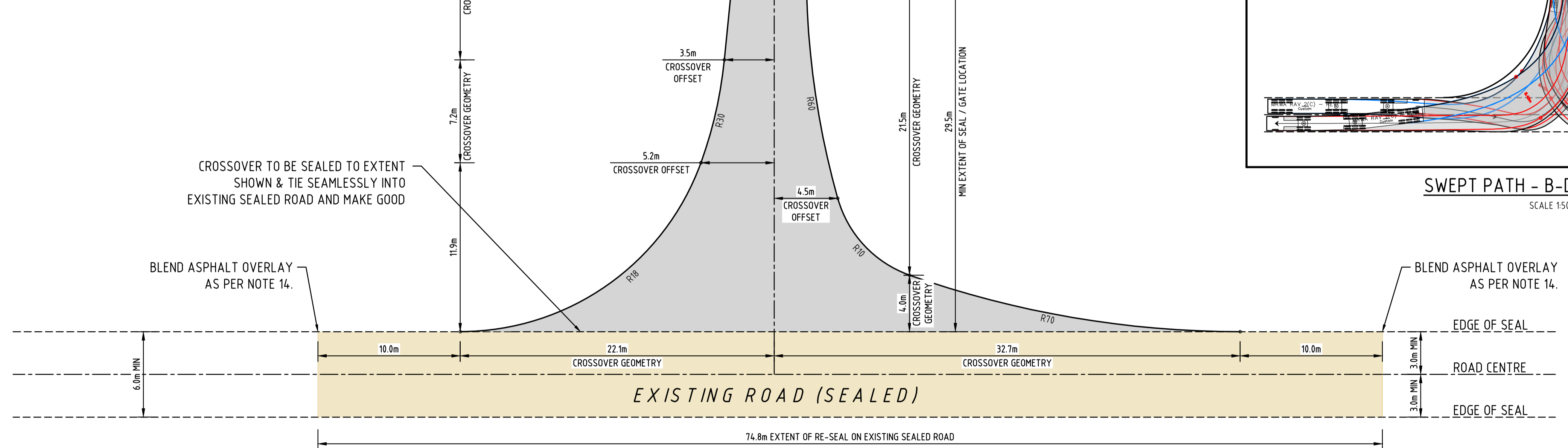
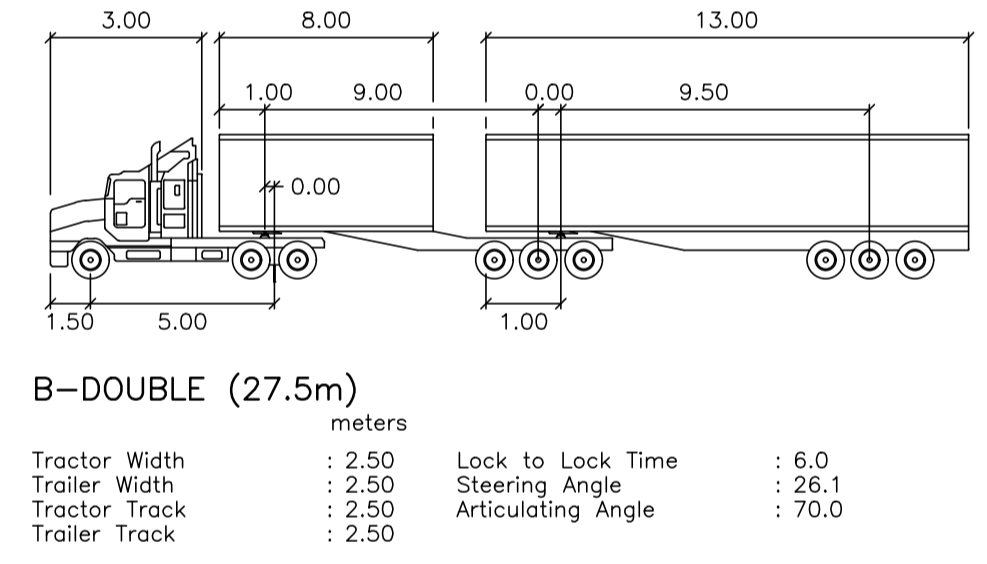
NOTES:

1. MAINTENANCE OF THE CROSSOVER IS THE LANDHOLDERS RESPONSIBILITY.
2. VEHICLE VOLUMES ARE ONE IN MOVEMENT
3. B-DOUBLE OPTION APPLIES TO RAV 2,3 & 4 COMBINATIONS (i.e. B-DOUBLES & POCKET TRANS) ANY LARGER COMBINATIONS (i.e. GREATER THAN RAV 4 NETWORK) WILL BE AS APPROVED BY THE SHIRE.
4. GATE SHALL BE LOCATED NOT LESS THAN THE LENGTH OF THE LONGEST VEHICLE USING THE CROSSOVER PLUS 2m FROM THE EDGE OF THE ROAD (I.E. UNSEALED SHOULDER) (I.E. AS-OF-RIGHT VEHICLE WILL REQUIRE A LENGTH OF NOT LESS THAN 21m FROM THE EDGE OF THE ROAD).
5. ASPHALT SHALL BE PLACED ON TOP OF A SEALED (BITUMEN) SURFACE USING AN AGGREGATE NOT LESS THAN 5mm (NOT A PRIMED/TACK ONLY SURFACE)
6. SEAL ON CROSSOVER SHALL EXTEND TO ACCESS GATE.
7. SEALED CROSSOVERS SHALL OVERLAP EXISTING SEALED ROAD BY NOT LESS THAN 100mm.
8. ASPHALT OVERLAY ON CROSSOVER SHALL EXTEND TO THE TANGENT POINT
9. ASPHALT OVERLAY AND RESEAL ON ADJOINING SEALED ROAD SHALL EXTEND NOT LESS THAN 10m PAST THE TANGENT POINT ON THE SEALED ROAD.
10. ALL NEW SEAL SHALL BE A TWO COAT SEAL WITH AGGREGATE SIZES OF 10mm AND 5mm TO MRWA SPECIFICATIONS.
11. ALL MATERIALS, SEALING WORKS AND EARTHWORKS TO MEET ALL RELEVANT STANDARDS (MRWA SPECIFICATIONS AND TEST METHODS AND ANY OTHER RELEVANT STANDARDS).
12. LOCATION AND PROTECTION OF ROADSIDE SERVICES AND ASSETS (POWER, WATER, TELSTRA, NBN, ETC) ARE ENTIRELY THE RESPONSIBILITY OF THE APPLICANT (DBYD WWW.1100.COM.AU)
13. CULVERTS SHALL BE INSTALLED AS REQUIRED AND AS STIPULATED BY THE SHIRE. ALL CULVERTS SHALL USE PRECAST HEADWALLS. ALL CULVERTS SHALL UTILISE REINFORCED CONCRETE PIPES (RCP) OR REINFORCED BOX CULVERTS (RBC) AS STIPULATED BY THE SHIRE AND ALL RCP AND RCB SHALL BE NOT LESS THAN CLASS 2. REFER TO MRWA DRAWING 9831-6281
14. ALL TERMINAL JOINTS SHALL BE GRADED TO EXISTING AT 1:100 (i.e. 30mm COMPACTED ASPHALT REQUIRES A 3m TAPER). ALL TAPERS TO BE PROFILED. AS PER MRWA SPECIFICATION 504.



LEGEND

- AREA OF SEALED CROSSOVER
- AREA OF RE-SEAL ON EXISTING ROAD



SHIRE OF GINGIN
CROSSOVER SPECIFICATIONS

PROJECT:	21-1-2021	NOTE 14 ADDED TERMINAL JOINTS SHALL BE GRADED AT 1:100	MJV
A	19-01-21	ISSUED FOR APPROVAL	MJV
B			
No.	DATE	REVISION	BY

COPYRIGHT
COPYRIGHT IN THIS DRAWING IS THE PROPERTY OF THE CONSULTANT THE CLIENT HAS LICENSE TO USE THIS DRAWING FOR THE PROJECT ONLY. THE USER SHALL BE RESPONSIBLE FOR "SITE CHECKING" ALL DIMENSIONS BEFORE COMMENCEMENT OF WORK. CAD DRAWING IS NOT MANUALLY ALTER.
ONLY PLANS WITH NUMERICAL REVISION (REV '1' OR HIGHER) AND SIGNED AS APPROVED SHALL BE USED FOR CONSTRUCTION.

Porter
Consulting Engineers
Level 2 Kishorn Court
58 Kishorn Road
Mt Pleasant 6153 WA
PO Box 1036
Canning Bridge 6153 WA
Tel (08) 9315 9955
Email office@portereng.com.au
www.portereng.com.au
12000 Pty Ltd ACN 078 891 148 as Franchise for the Consulting Engineering Unit Trading as Porter Consulting Engineers ABN 78 638 296 381

SHIRE OF GINGIN
HISTORY | BEAUTY | PROSPERITY

DRAWING: **RURAL & INDUSTRIAL CROSSOVER FRONTING SEALED ROAD HEAVY VEHICLES PER WEEK: >5 TO ≤10**

SCALE: 1:200	DRAWING No:	REV No:	ORIGINAL DRAWING SIZE:
DATE: JAN 2021	SoG/STD-02	B	A1
DESIGN: ELW	FILE NAME: S:\ACTIVE PROJECTS\20-12-199\ACAD\2012199_s06-STD-02		
DRAWN: MJV			
CHECK: APPD			

STATUS: **FOR INFORMATION**