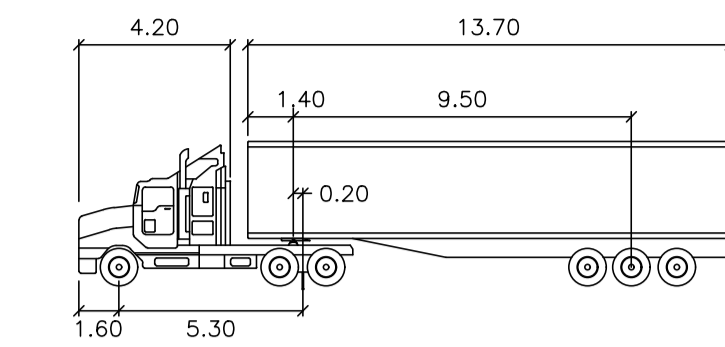


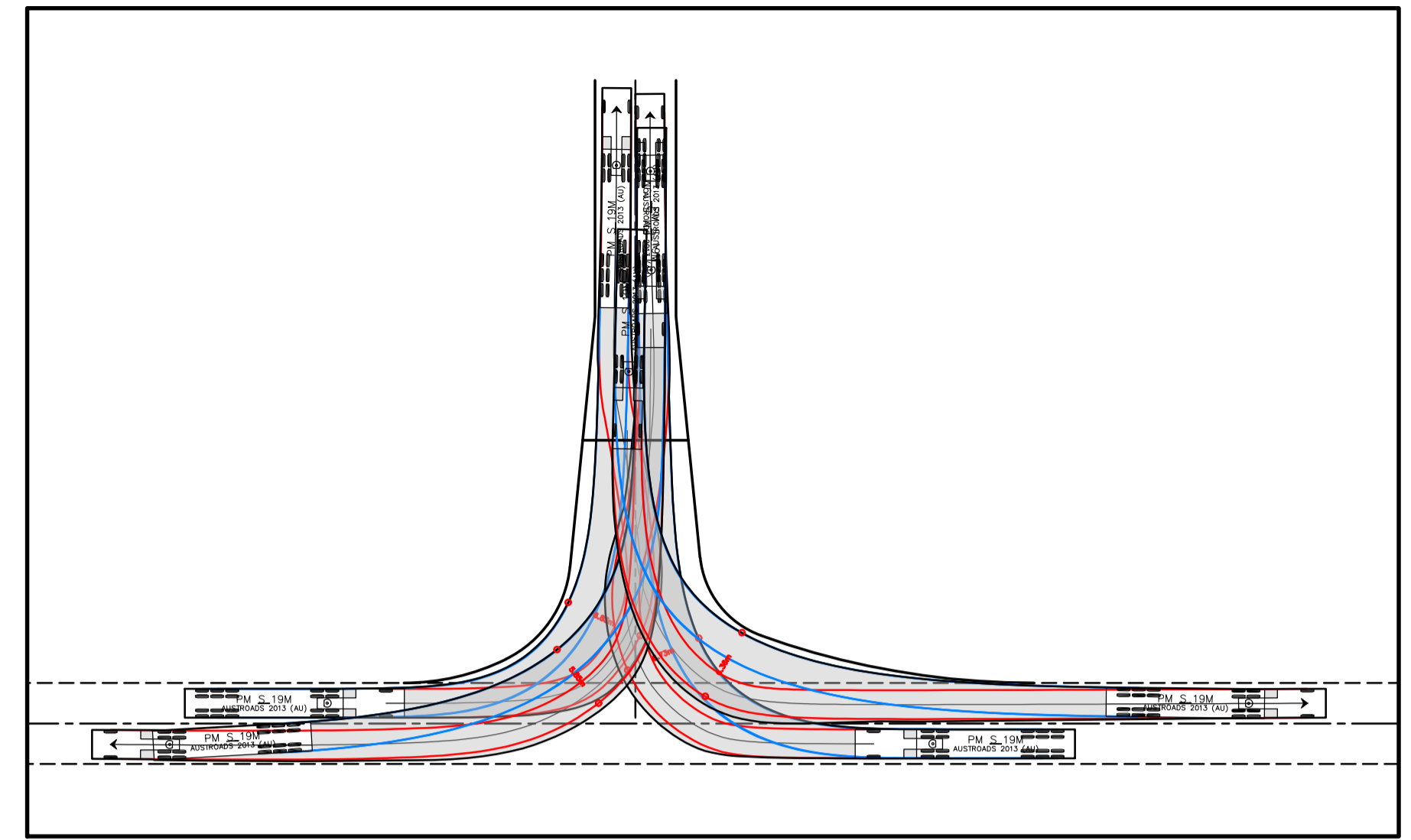
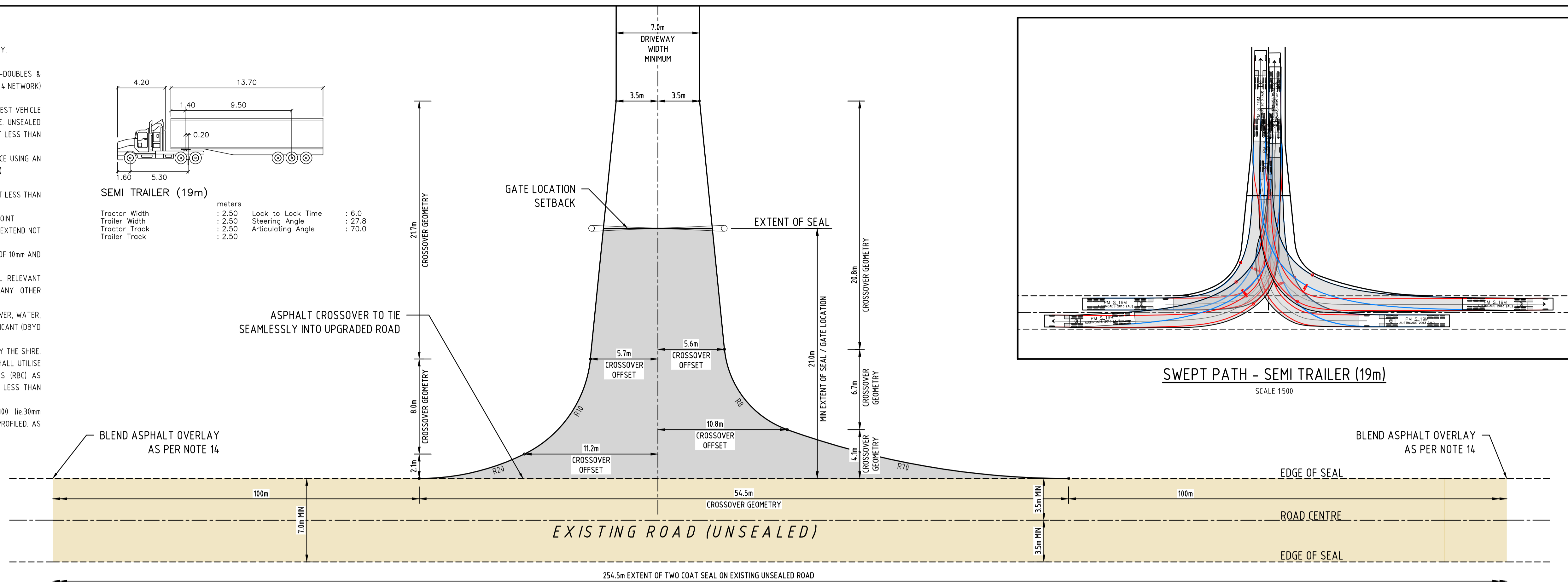
NOTES:

1. MAINTENANCE OF THE CROSSOVER IS THE LANDHOLDERS RESPONSIBILITY.
2. VEHICLE VOLUMES ARE ONE IN MOVEMENT
3. B-DOUBLE OPTION APPLIES TO RAV 2,3 & 4 COMBINATIONS (i.e. B-DOUBLES & POCKET TRAINS) ANY LARGER COMBINATIONS (i.e. GREATER THAN RAV 4 NETWORK) WILL BE AS APPROVED BY THE SHIRE.
4. GATE SHALL BE LOCATED NOT LESS THAN THE LENGTH OF THE LONGEST VEHICLE USING THE CROSSOVER PLUS 2m FROM THE EDGE OF THE ROAD (i.e. UNSEALED SHOULDER) (i.e. AS-OF-RIGHT VEHICLE WILL REQUIRE A LENGTH OF NOT LESS THAN 21m FROM THE EDGE OF THE ROAD).
5. ASPHALT SHALL BE PLACED ON TOP OF A SEALED (BITUMEN) SURFACE USING AN AGGREGATE NOT LESS THAN 5mm (NOT A PRIMED/TACK ONLY SURFACE)
6. SEAL ON CROSSOVER SHALL EXTEND TO ACCESS GATE.
7. SEALED CROSSOVERS SHALL OVERLAP EXISTING SEALED ROAD BY NOT LESS THAN 100mm.
8. ASPHALT OVERLAY ON CROSSOVER SHALL EXTEND TO THE TANGENT POINT
9. ASPHALT OVERLAY AND RESEAL ON ADJOINING SEALED ROAD SHALL EXTEND NOT LESS THAN 10m PAST THE TANGENT POINT ON THE SEALED ROAD.
10. ALL NEW SEAL SHALL BE A TWO COAT SEAL WITH AGGREGATE SIZES OF 10mm AND 5mm TO MRWA SPECIFICATIONS.
11. ALL MATERIALS, SEALING WORKS AND EARTHWORKS TO MEET ALL RELEVANT STANDARDS (MRWA SPECIFICATIONS AND TEST METHODS AND ANY OTHER RELEVANT STANDARDS).
12. LOCATION AND PROTECTION OF ROADSIDE SERVICES AND ASSETS (POWER, WATER, TELSTRA, NBN, ETC) ARE ENTIRELY THE RESPONSIBILITY OF THE APPLICANT (DBYD WWW.1100.COM.AU)
13. CULVERTS SHALL BE INSTALLED AS REQUIRED AND AS STIPULATED BY THE SHIRE. ALL CULVERTS SHALL USE PRECAST HEADWALLS. ALL CULVERTS SHALL UTILISE REINFORCED CONCRETE PIPES (RCP) OR REINFORCED BOX CULVERTS (RBC) AS STIPULATED BY THE SHIRE AND ALL RCP AND RCB SHALL BE NOT LESS THAN CLASS 2. REFER TO MRWA DRAWING 9831-6281
14. ALL TERMINAL JOINTS SHALL BE GRADED TO EXISTING AT 1:100 (ie 30mm COMPACTED ASPHALT REQUIRES A 3m TAPER) ALL TAPERS TO BE PROFILED. AS PER MRWA SPECIFICATION 504.



SEMI TRAILER (19m)

Tractor Width	: 2.50	Lock to Lock Time	: 6.0
Trailer Width	: 2.50	Steering Angle	: 27.8
Tractor Track	: 2.50	Articulating Angle	: 70.0
Trailer Track	: 2.50		

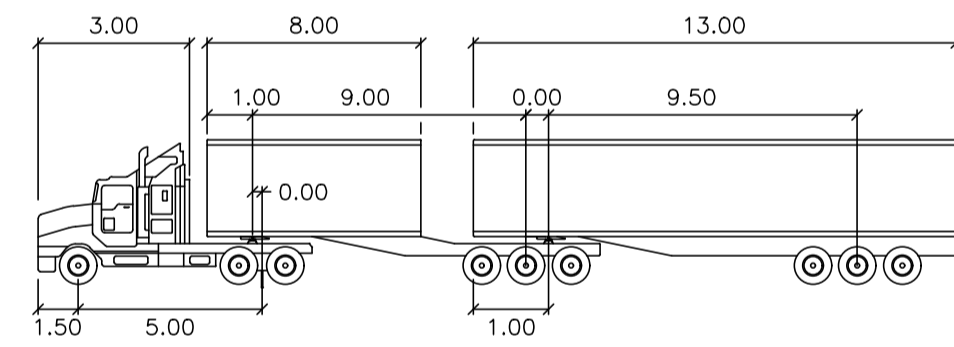


SWEPT PATH - SEMI TRAILER (19m)
SCALE 1500

LEGEND

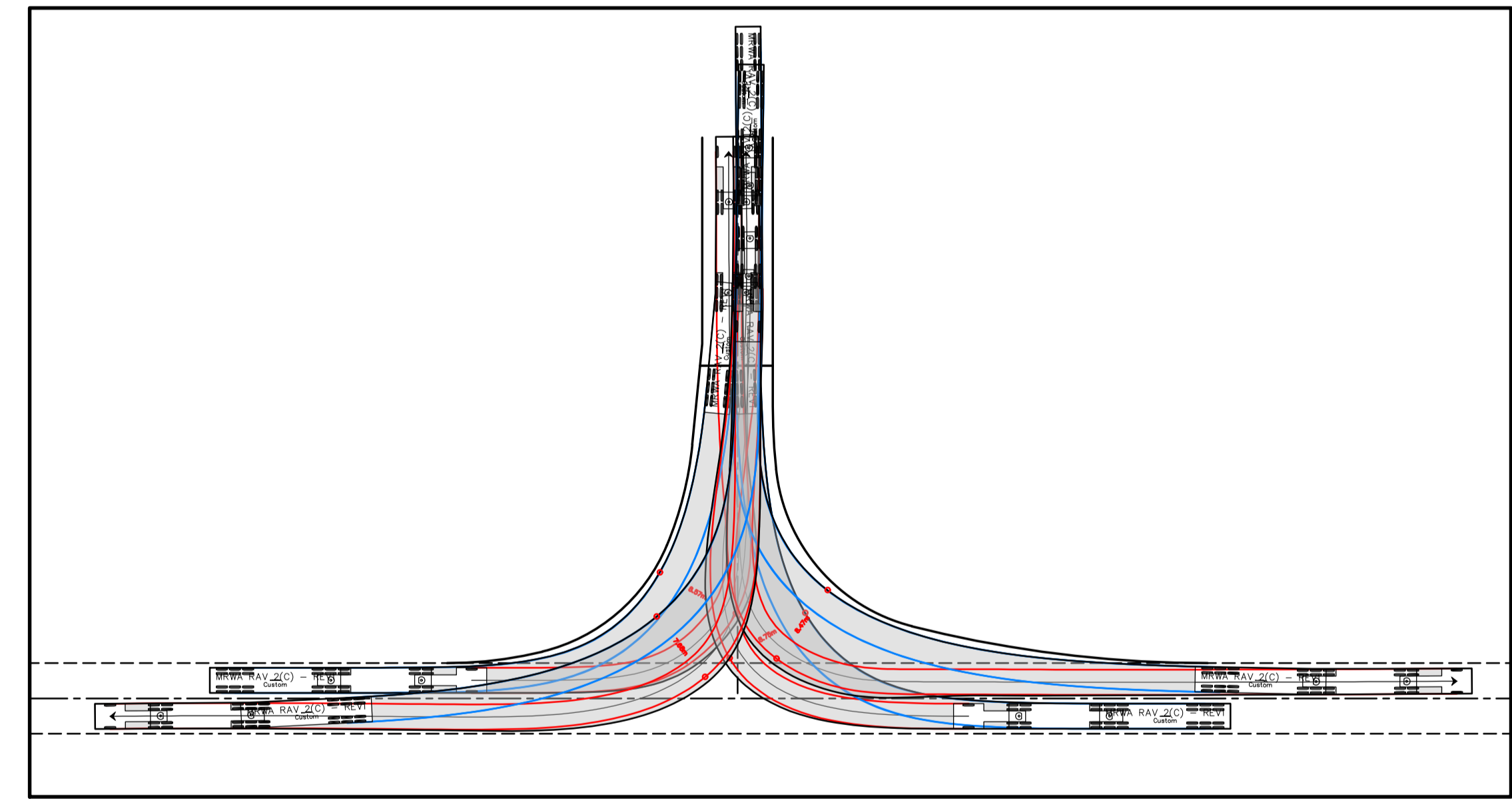
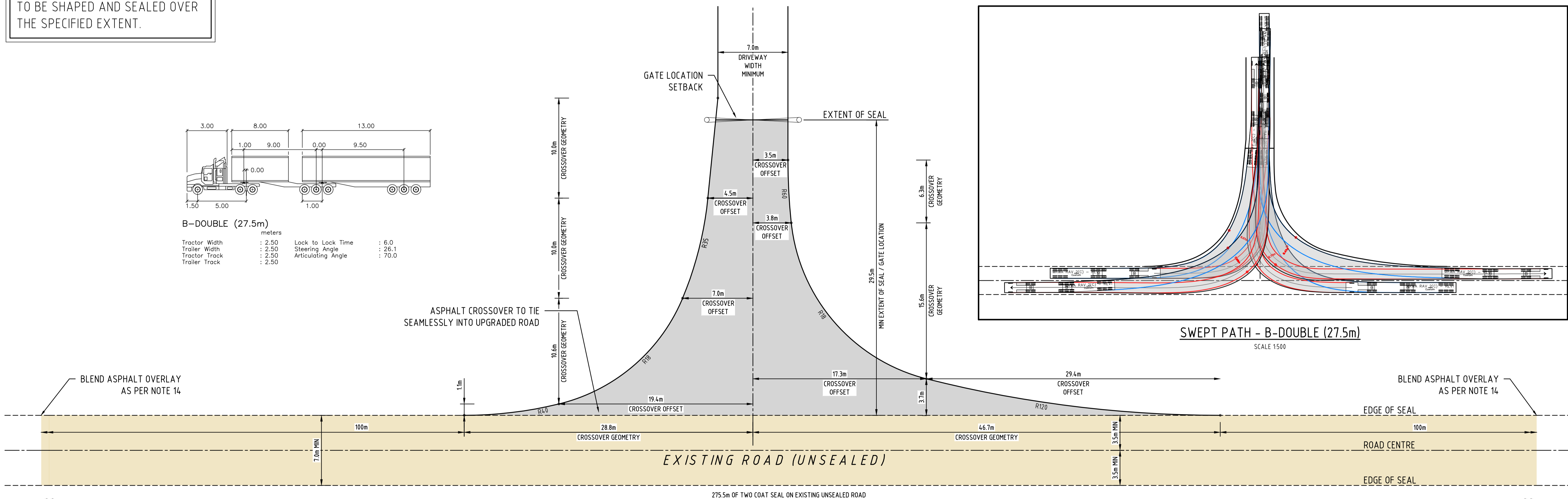
- AREA OF 40mm ASPHALT CROSSOVER
- AREA OF 40mm ASPHALT OVERLAY ON EXISTING ROAD

NOTE: EXISTING UNSEALED ROAD TO BE SHAPED AND SEALED OVER THE SPECIFIED EXTENT.

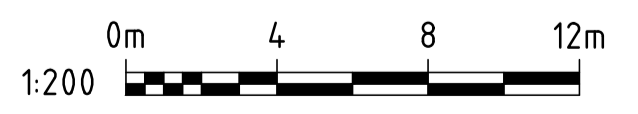


B-DOUBLE (27.5m)

Tractor Width	: 2.50	Lock to Lock Time	: 6.0
Trailer Width	: 2.50	Steering Angle	: 26.1
Tractor Track	: 2.50	Articulating Angle	: 70.0
Trailer Track	: 2.50		



SWEPT PATH - B-DOUBLE (27.5m)
SCALE 1500



**SHIRE OF GINGIN
CROSSOVER SPECIFICATIONS**

PROJECT:	21-1-2021	NOTE 14 BLENDED ASPHALT 1:100 TAPER TO EXISTING	MJV
DATE:	19-01-21	ISSUED FOR APPROVAL	MJV
REVISION:			BY:

COPYRIGHT
COPYRIGHT IN THIS DRAWING IS THE PROPERTY OF THE CONSULTANT THE CLIENT HAS LICENSE TO USE THIS DRAWING FOR THE PROJECT ONLY. THE USER SHALL BE RESPONSIBLE FOR "SITE CHECKING" ALL DIMENSIONS BEFORE COMMENCEMENT OF WORK. CAD DRAWING IS NOT MANUALLY ALTER.
ONLY PLANS WITH NUMERICAL REVISION (REV '1' OR HIGHER) AND SIGNED AS APPROVED SHALL BE USED FOR CONSTRUCTION.



Level 2 Kishorn Court
58 Kishorn Road
Mt Pleasant 4553 WA
PO Box 1836
Canning Bridge 4553 WA
Tel (08) 9315 9955
Email office@portereng.com.au
www.portereng.com.au



DRAWING:
**RURAL & INDUSTRIAL CROSSOVER
FRONTING UNSEALED ROAD HEAVY
VEHICLES PER WEEK: >20 TO ≤ 50**

SCALE:	1:200	DRAWING No:	REV No:	ORIGINAL DRAWING SIZE:
DATE:	JAN 2021	SoG/STD-09		B A1
DESIGN:	ELW	FILE NAME:	S:\ACTIVE PROJECTS\20-12-199\ACAD\2012199_S06-STD-09	
DRAWN:	MJV	STATUS:	FOR INFORMATION	
CHECK:	APPD			